



FUJIKURA COMPOSITES

Battery-Free Leak Detection Sensor

AC power not required
Battery replacement not required



Leak Detection for Water and Liquid in Manufacturing Plants



Leak detection in equipment and piping



Preventing overflow from drain tanks, etc.

Features

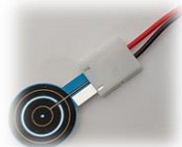
- No power supply required for the sensor (transmitter)!
- No wiring work needed—easy installation!
- No battery replacement required—maintenance-free after installation!
- Detects just a few drops of water (and other water-based liquids)!



Standard Sensor

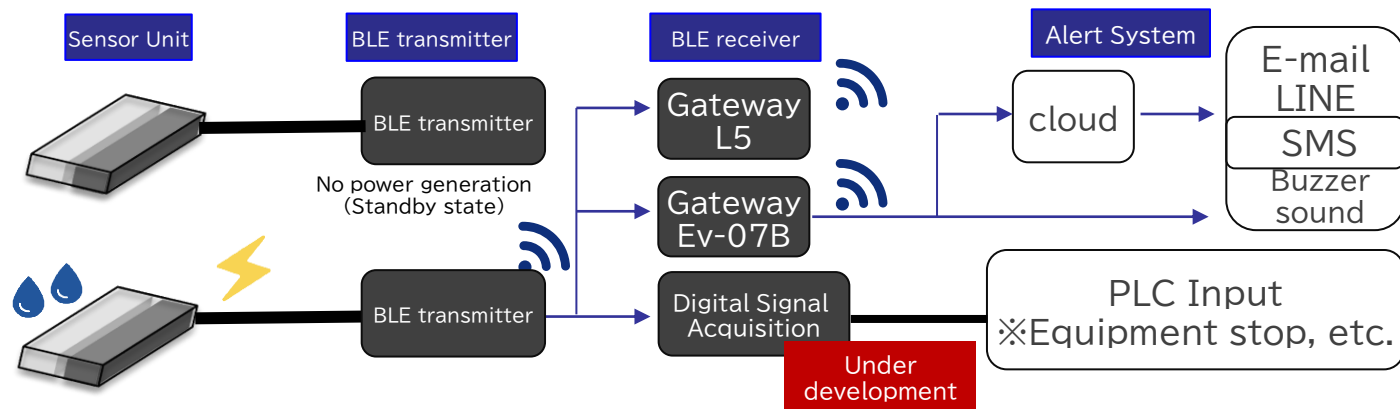


Tape Sensor



Flexible Sensor

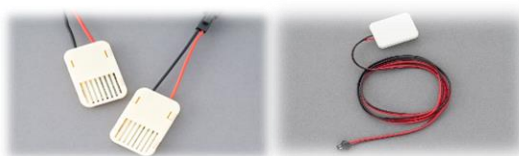
How Battery-Free Liquid Detection Works



Sensor~BLE Transmitter

BLE receiver

■ Combination Image



Standard Sensor

BLE transmitter

AC power not required
Battery replacement not required

■ BLE Receiver (L5) Outdoor Gateway

AC power not required
Battery replacement not required

- No external power source required thanks to solar power generation
- Robust housing design & IP67 waterproof and dustproof specification



■ BLE Receiver (EV-07B) Indoor Gateway

- By using a voice SIM, SMS notifications can be sent directly to your smartphone.
- Compact design for easy portability

