



# FUJIKURA COMPOSITES

## Thin size Air bearing Cylinder ACS-20-5

RoHS

### Features

- **small and compact model**
  - Outline: 47mm×47mm×22mm
- **frictional resistance is "0"**
  - Creates a non-contact structure and high performance power

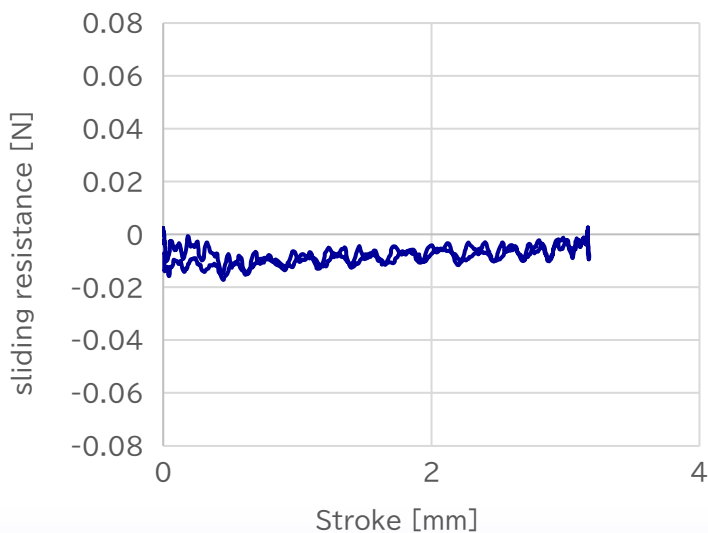


### Specification

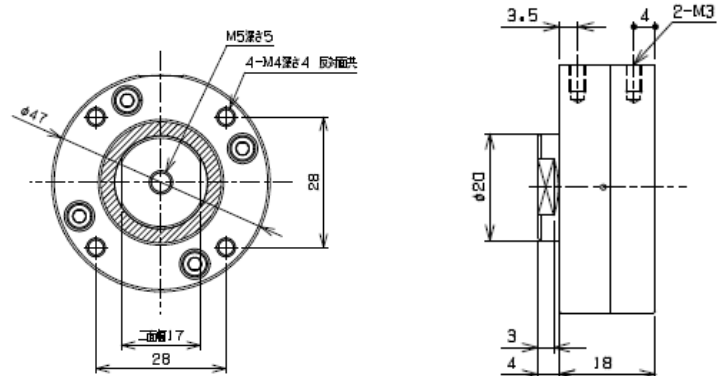
model	ACS-20-5
Operating Style	Single Action
Cylinder Diameter (mm)	20
Stroke (mm)	5
Working fluid	Clean Compressed Air (No lubricator)
Working Pressure Range (Mpa)	0.01~0.6 *1 [1.5~87.0]
Working Temperature (°C)	0~60 [32~140]
Bearing type	metal sintering
Effective pressure receiving area(mm <sup>2</sup> )	314

\*1 The supply pressure to the air bearing should be at least +50kPa [7.25] working pressure.

### Special characteristic



### Dimensions



### Examples of Use



Bonder